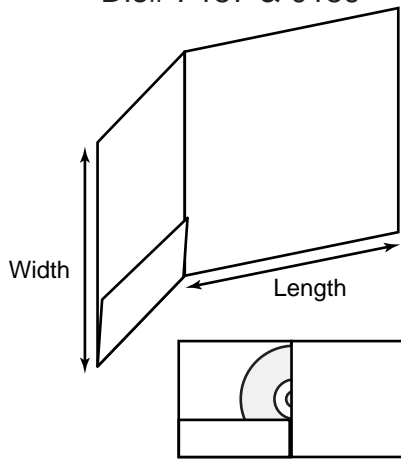
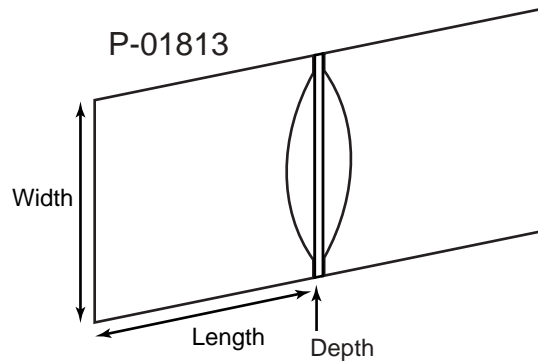


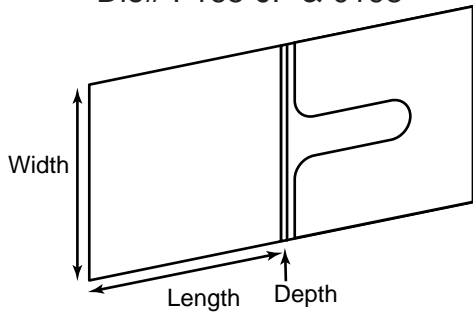
Die# I-157 & 0159



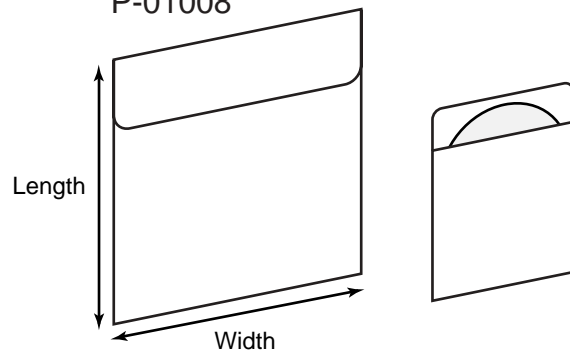
P-01813



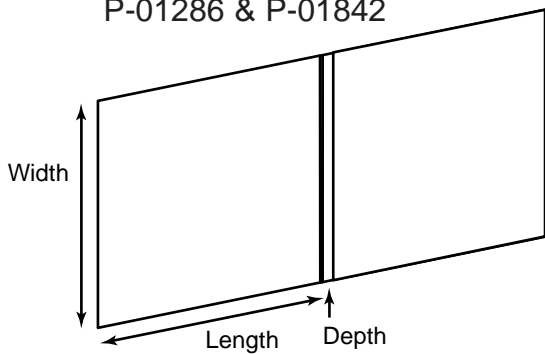
Die# I-165-JF & 0198



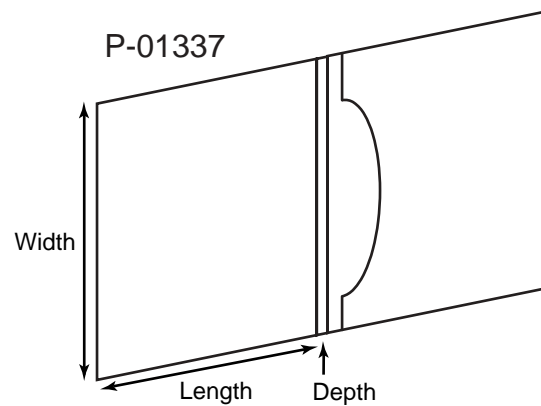
P-01008



P-01286 & P-01842



P-01337

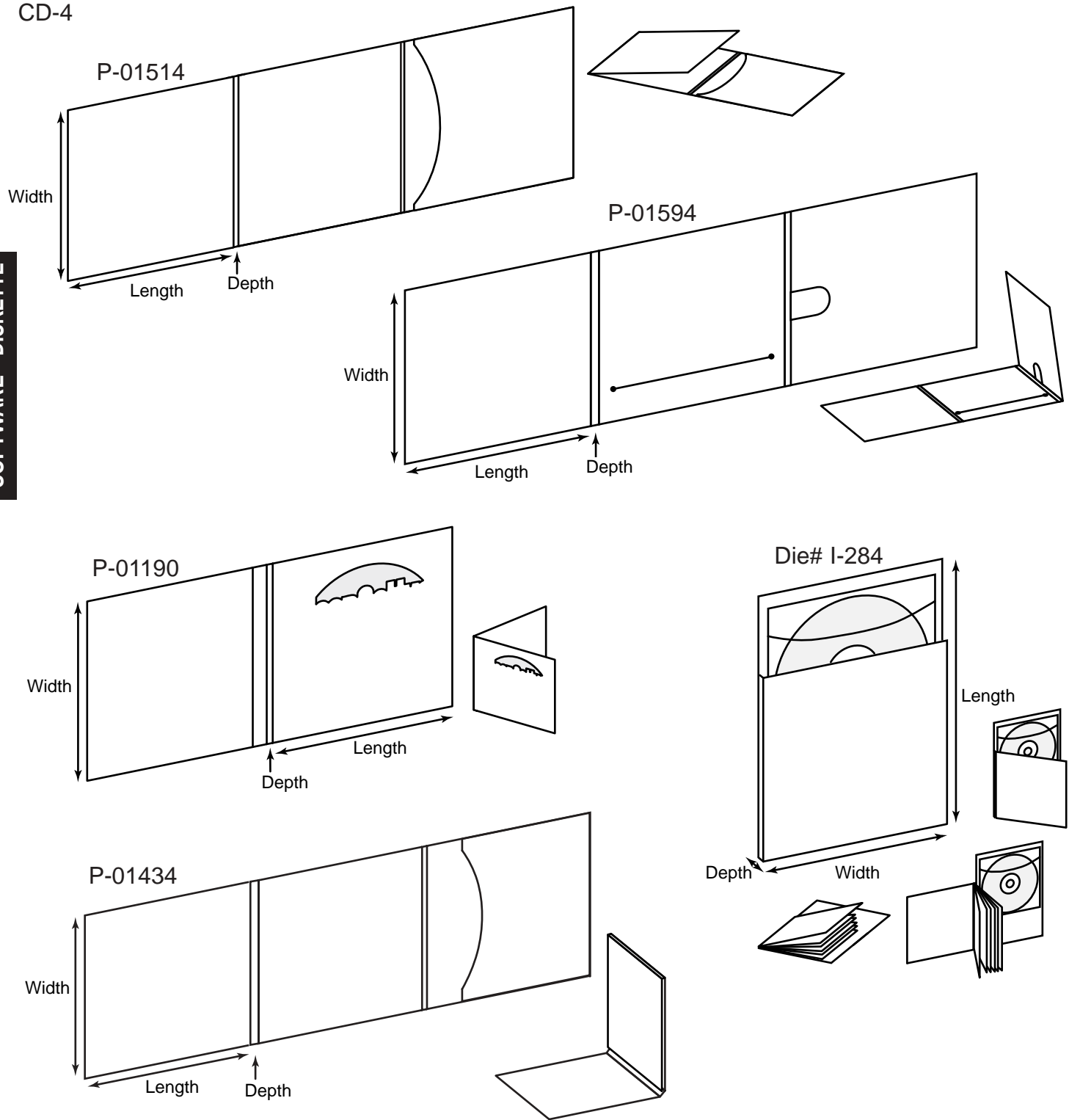


**Product Type: CD Holders**

Die #      Length x Width x Depth      Description

Die #	Length x Width x Depth	Description
<b>I-157</b>	5 x 5	CD Jacket with small flap for magazine insert; 0159
<b>P-01813</b>	5-1/8 x 5 x 3/16	Two CD holder with halfmoon pockets; 0210, B-706, I-305
<b>I-165-JF</b>	5 x 4-15/16 x 1/8	Single CD holder with elongated thumb slot; 0198
<b>P-01008</b>	6 x 5-3/4	Single CD mailer; B-098, 0373
<b>P-01286</b>	5-3/16 x 5-1/16 x 1/8	Single CD holder; 0421
<b>P-01842</b>	5-3/16 x 5-1/16 x 1/8	Single CD holder; 0163, I-137-JF
<b>P-01337</b>	5 x 6-1/4 x 1/4	Single CD holder with half moon pocket; B-120

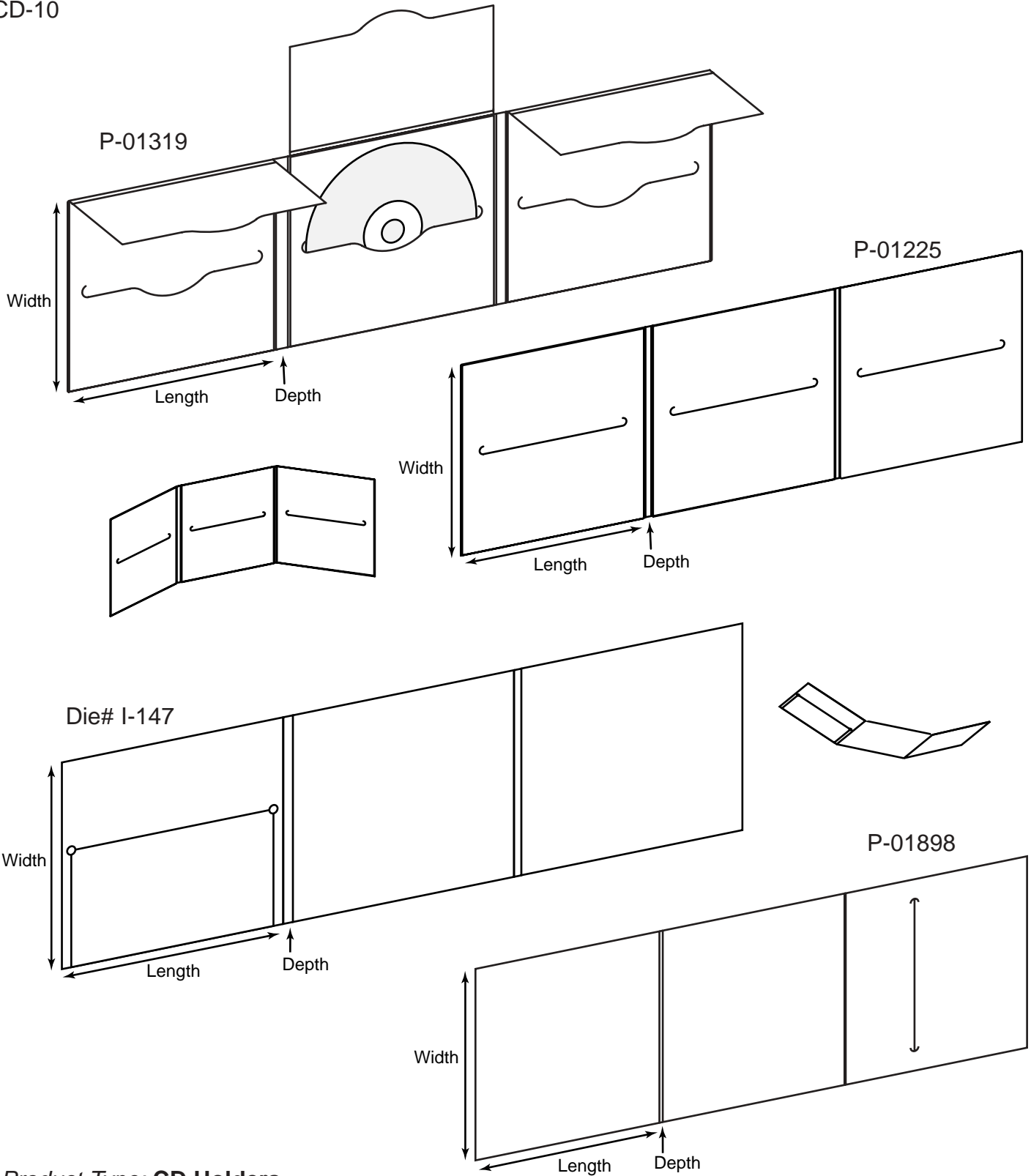
CD-4



**Product Type: CD Holders**

Die #      Length x Width x Depth      Description

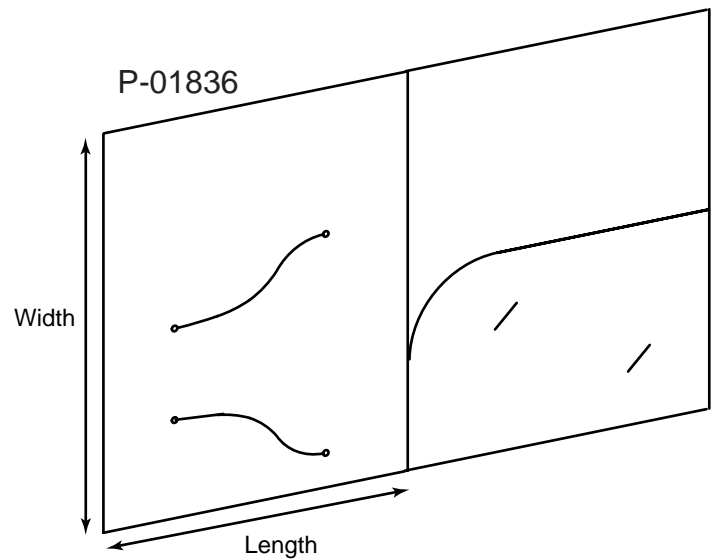
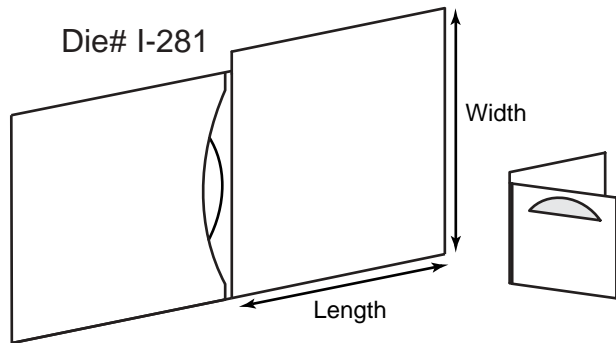
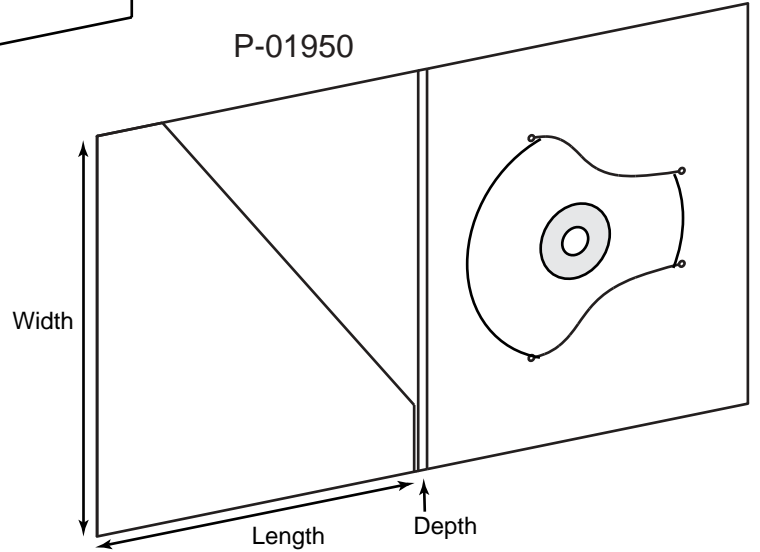
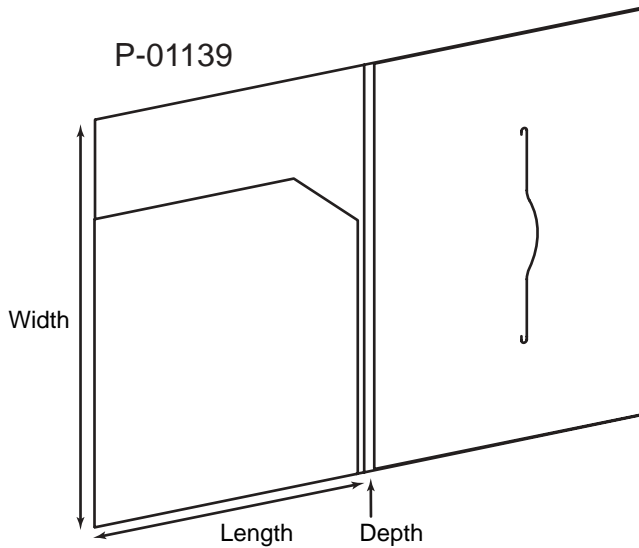
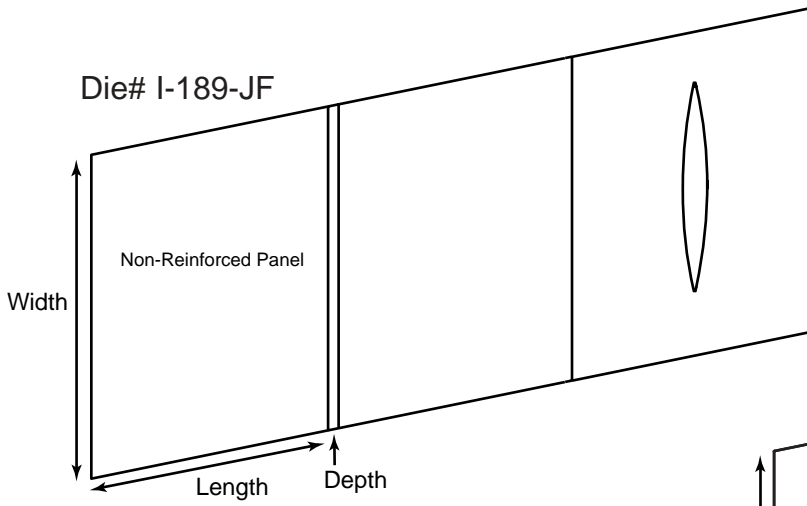
<b>P-01514</b>	5-3/16 x 5 x 3/16	Single CD holder with halfmoon pocket; 0158, I-342, B-495
<b>P-01594</b>	6 x 5-3/8 x 1/4	Single CD holder with literature slot; I-120
<b>P-01190</b>	5-1/2 x 5-5/8 x 3/16	3/16" capacity to hold clear plastic CD sleeve; B-064
<b>I-284</b>	8 x 5-3/4 x 1/4	Single CD holder with clear plastic sleeve for CD; with spine capacity to hold a 12 page booklet
<b>P-01434</b>	5-3/16 x 5 x 3/16	Single CD pack on the end ; B-446-JF



**Product Type: CD Holders**

**Die #      Length x Width x Depth      Description**

<b>Die #</b>	<b>Length x Width x Depth</b>	<b>Description</b>
<b>P-01319</b>	5-1/2 x 4-15/16 x 5/16	Three panel CD holder with flaps on each panel; B-402
<b>P-01225</b>	6-1/8 x 6-1/4 x 3/16	Three panel CD holder; 0410
<b>I-147</b>	6-3/8 x 6-5/16 x 1/8	Three panel single CD holder
<b>P-01898</b>	6 x 5-7/8 x 1/8	Three panel single CD holder; I-325



CD/DVD ROM • SOFTWARE • DISKETTE

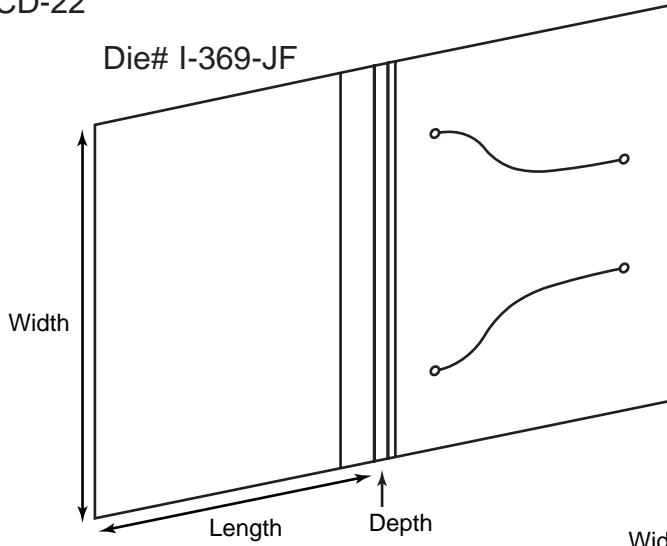
**Product Type: CD Holders**

Die #      Length x Width x Depth      Description

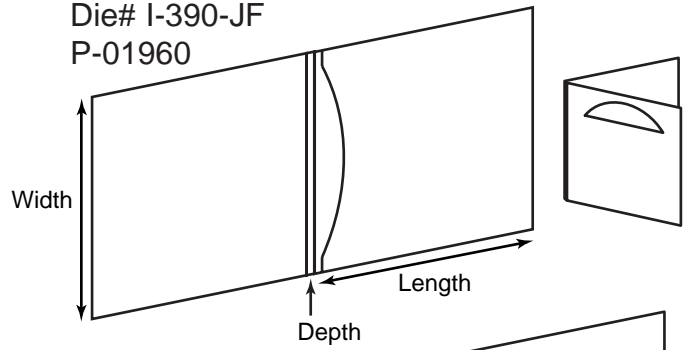
<b>I-189-JF</b>	5-1/2 x 7-3/8 x 3/16	Single CD holder with a non-reinforced panel
<b>P-01950</b>	7-3/8 x 9 x 3/8	Pocket folder style CD pack; I-188
<b>P-01139</b>	6-1/4 x 9-1/4 x 3/16	CD pack with literature pocket; B-363
<b>I-281</b>	5 x 5-1/2	CD pack with half-moon front window, pocket and extended panel for magazine binding
<b>P-01836</b>	7 x 9	CD pocket folder, has two literature pockets; B-688, I-274-JF

CD-22

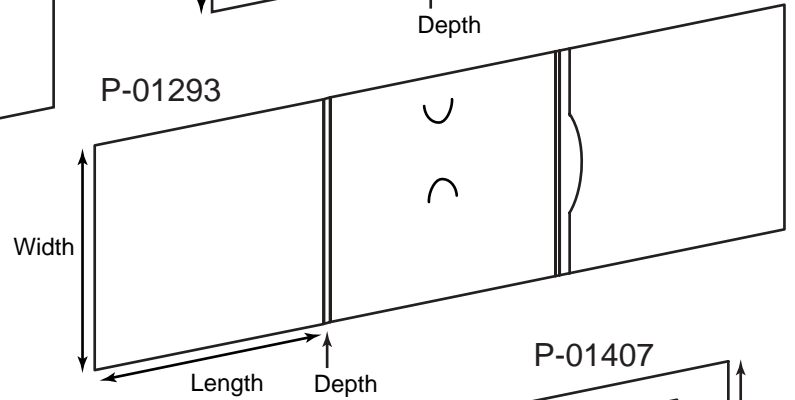
Die# I-369-JF



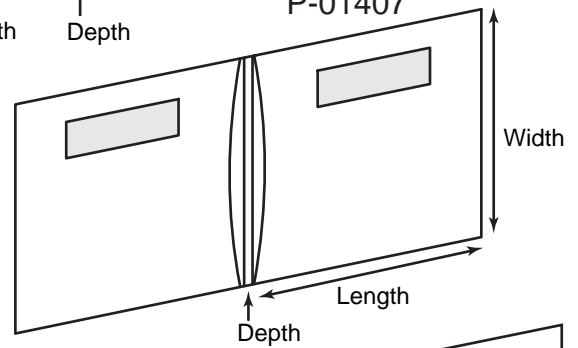
Die# I-390-JF  
P-01960



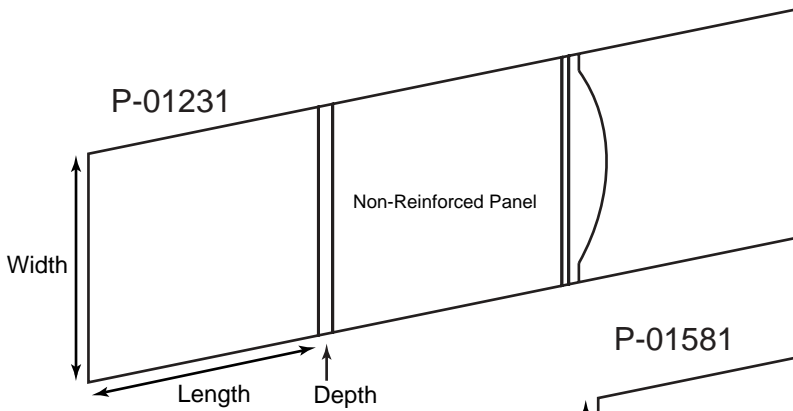
P-01293



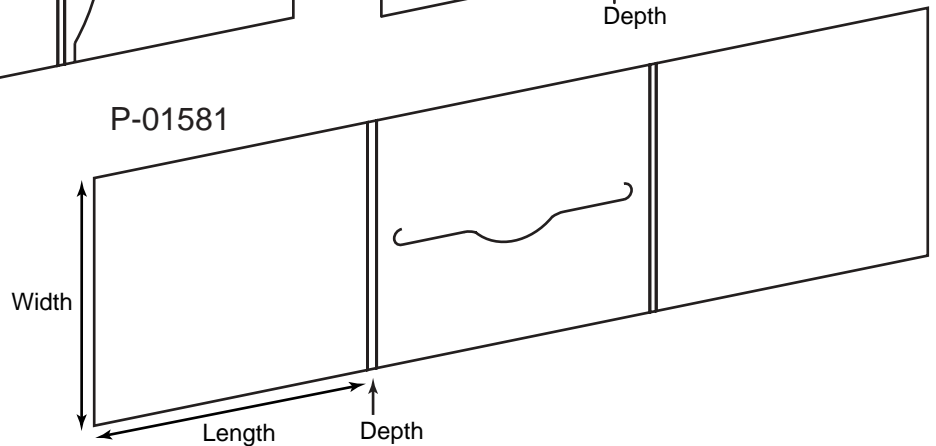
P-01407



P-01231



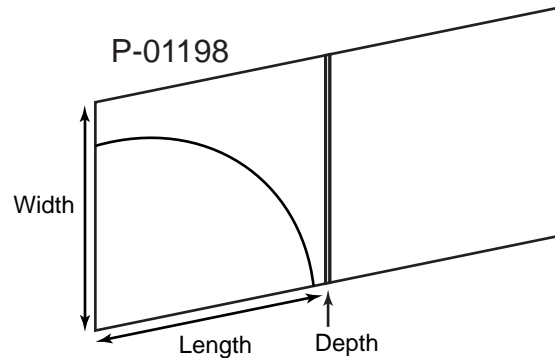
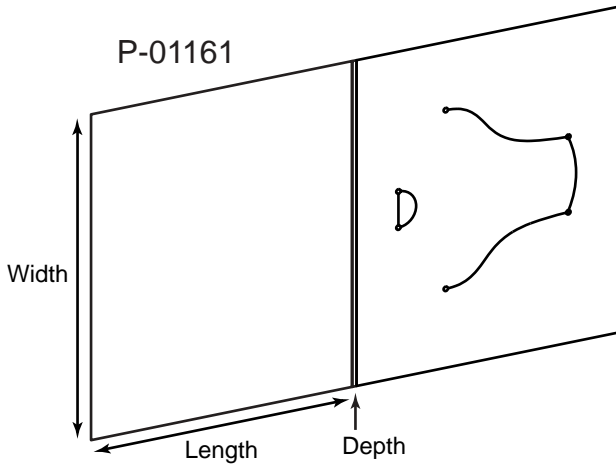
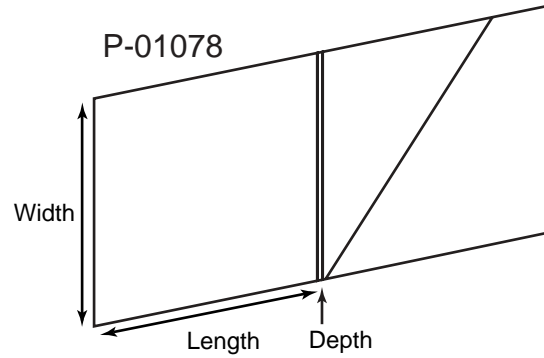
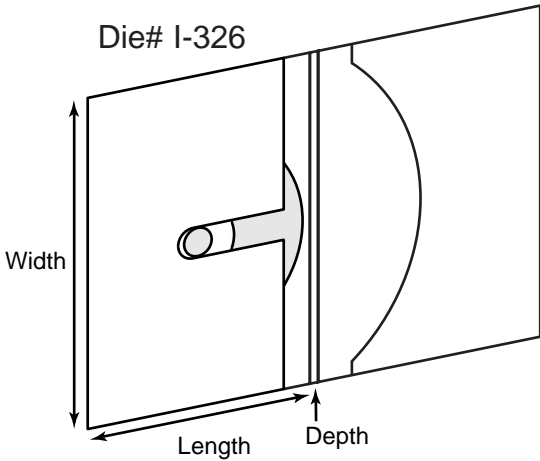
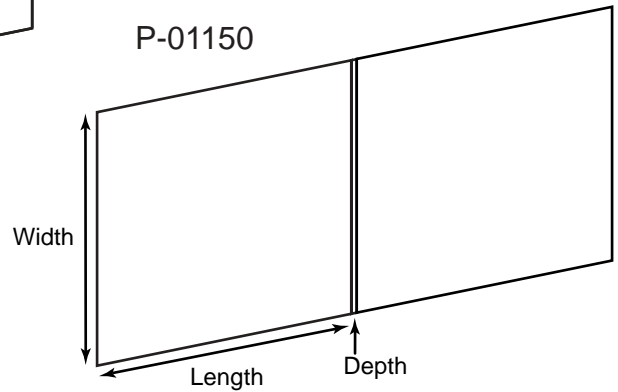
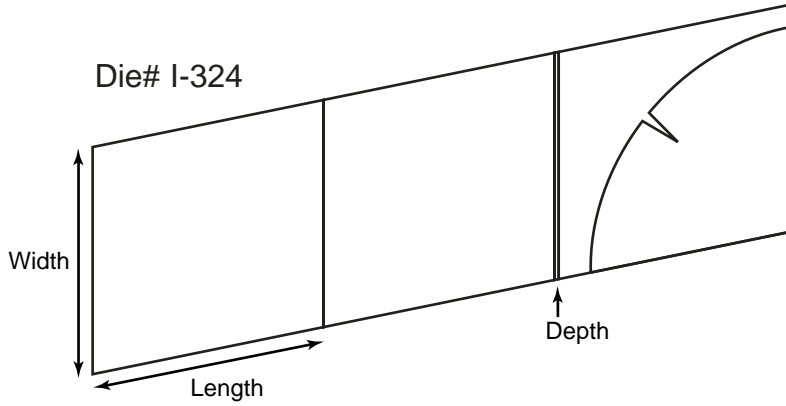
P-01581



**Product Type: CD Holders**

Die #      Length x Width x Depth      Description

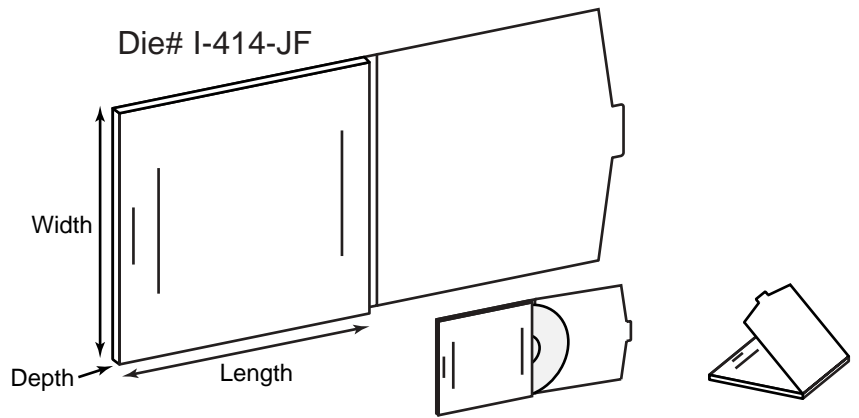
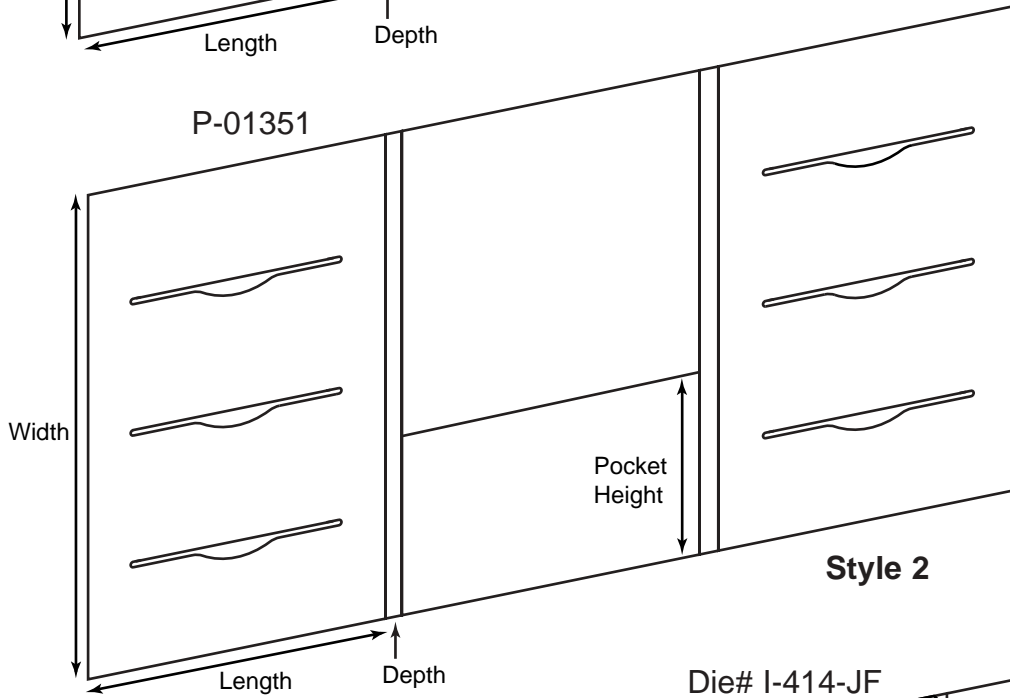
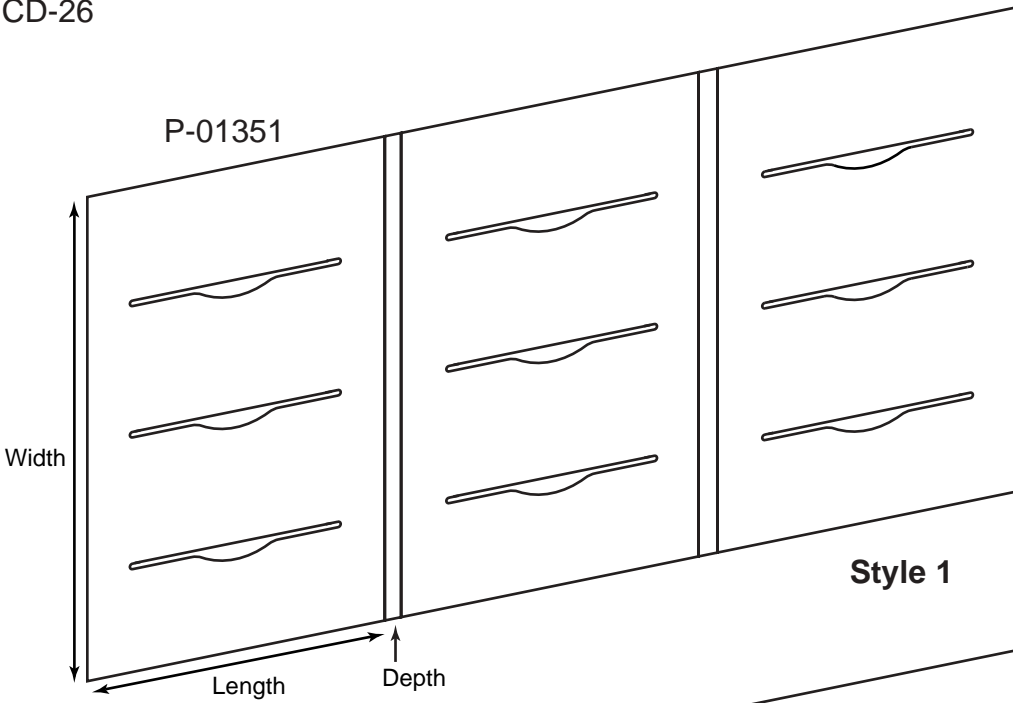
Die #	Length x Width x Depth	Description
<b>I-369-JF</b>	6-3/8 x 8-7/8 x 5/16	Single CD holder with pocket
<b>I-390-JF</b>	5 x 5 x 3/16	Single CD holder with reinforced panel and window on front
<b>P-01960</b>	5 x 5 x 3-16	Single CD holder with halfmoon cut; no window; 0631, B-810-JF
<b>P-01293</b>	5-1/2 x 5 x 1/8	Holds single CD and business card; 0519, B-392
<b>P-01221</b>	5-1/8 x 5 x 1/4	Holds two CD's; one middle slide through pocket, half moon pocket at end; I-370-JF
<b>P-01407</b>	5-1/8x 5 x 3/16	CD Pack with two windows 13/16" x 2-1/2"; 0452
<b>P-01581</b>	5-9/16 x 4-15/16 x 3/16	Two fold single CD holder; 0521, I-378-JF



**Product Type: CD Holders**

*Die #      Length x Width x Depth      Description*

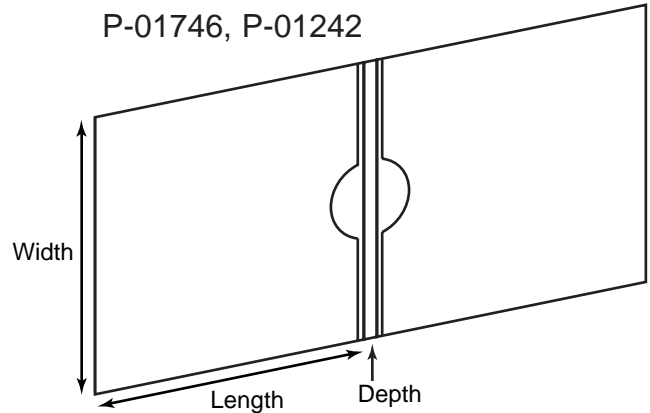
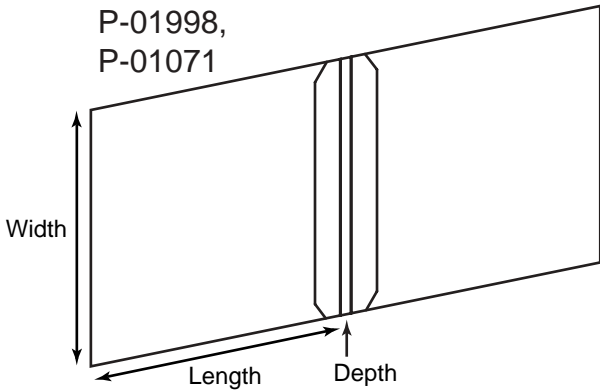
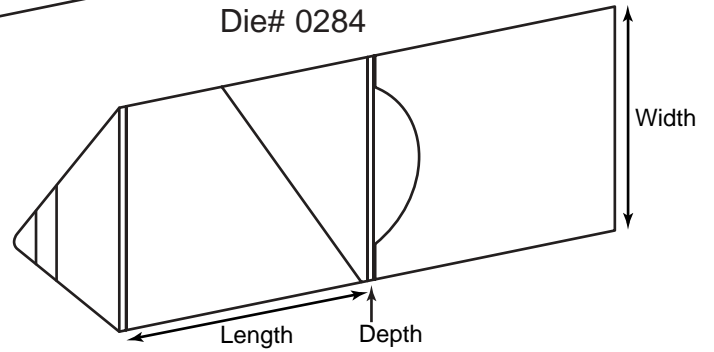
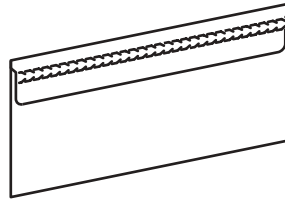
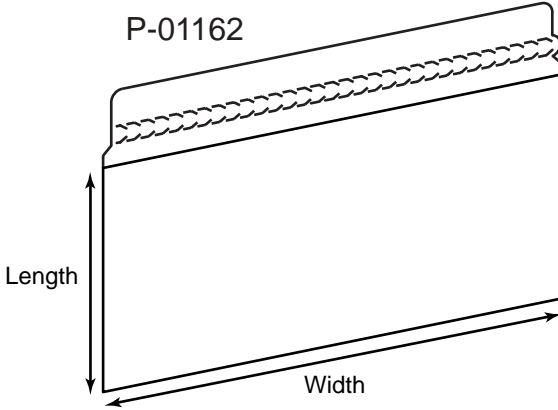
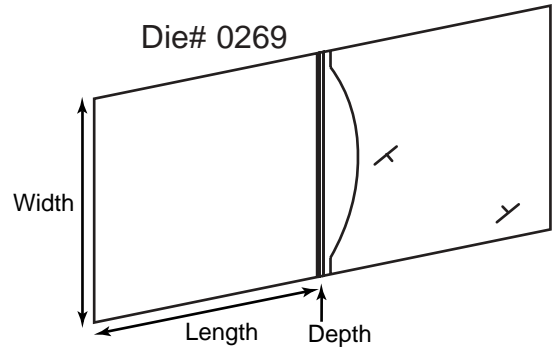
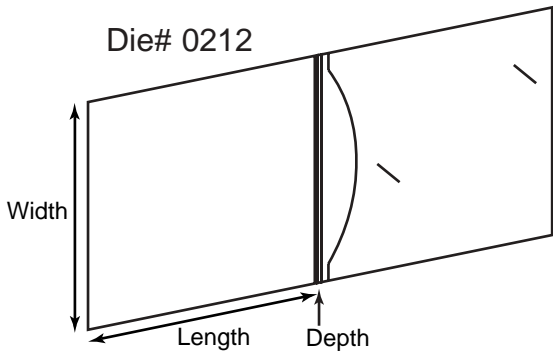
<i>Die #</i>	<i>Length x Width x Depth</i>	<i>Description</i>
<b>I-324</b>	5-1/8 x 5 x 1/16	Single CD holder with round pocket
<b>P-01150</b>	5-13/16 x 5-11/16 x 1/8	Oversized single CD holder; B-023-JF
<b>I-326</b>	5-1/8 x 7-1/2 x 3/16	Oversized CD holder; single CD in spindle slot on left side and halfmoon pocket on right.
<b>P-01078</b>	5-1/8 x 5-1/8 x 1/8	Single CD holder with angled pocket; I-339-JF
<b>P-01161</b>	7-3/8 x 9 x 1/8	Single CD holder with S-curves; B-034-JF
<b>P-01198</b>	5-3/16 x 5-1/16 x 1/8	Single CD holder; B-073-JF



**Product Type: CD Holders**

Die #      Length x Width x Depth      Description

Die #	Length x Width x Depth	Description
<b>P-01351</b>	6-7/8 x 11 x 7/16	CD holder with nine removable CD slots; optional pocket on center panel 4" height; B-132 Style 1 & 2
<b>I-414-JF</b>	5-5/8 x 5-1/2 x 1/4	Single CD mailer

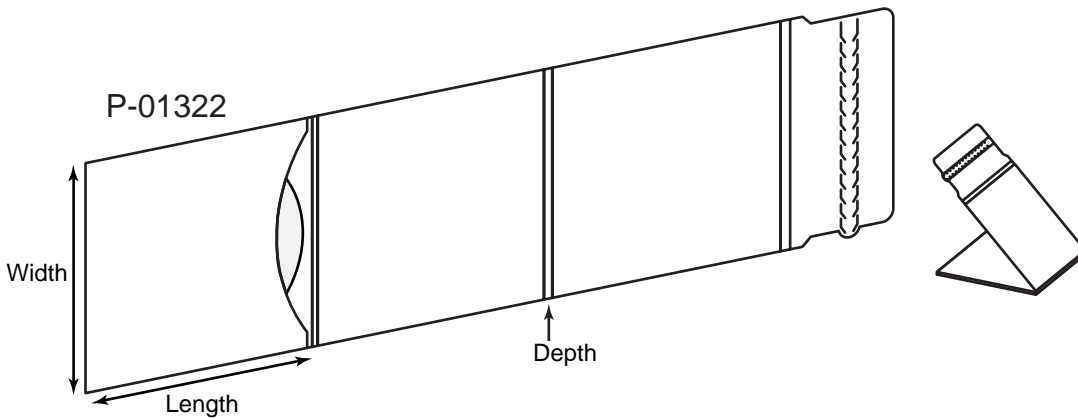
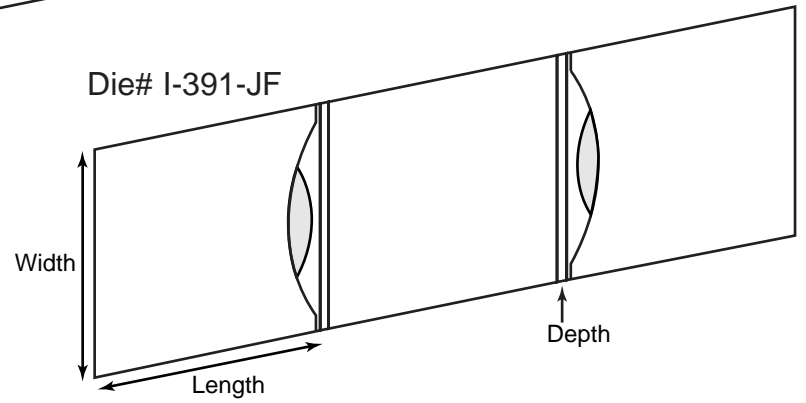
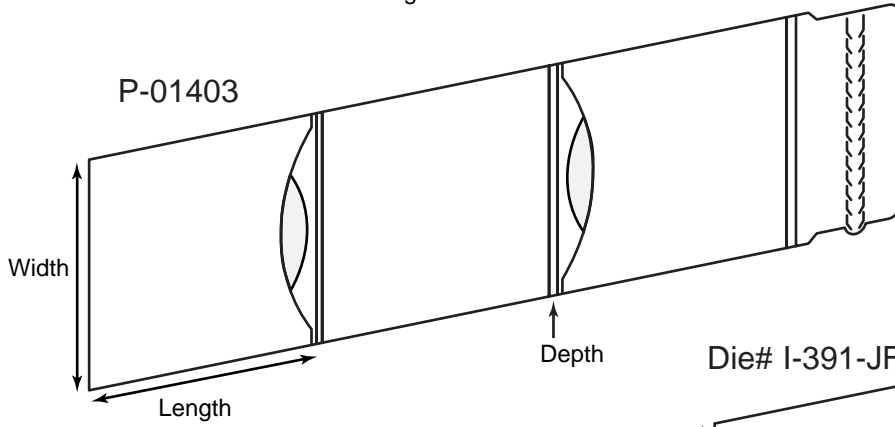
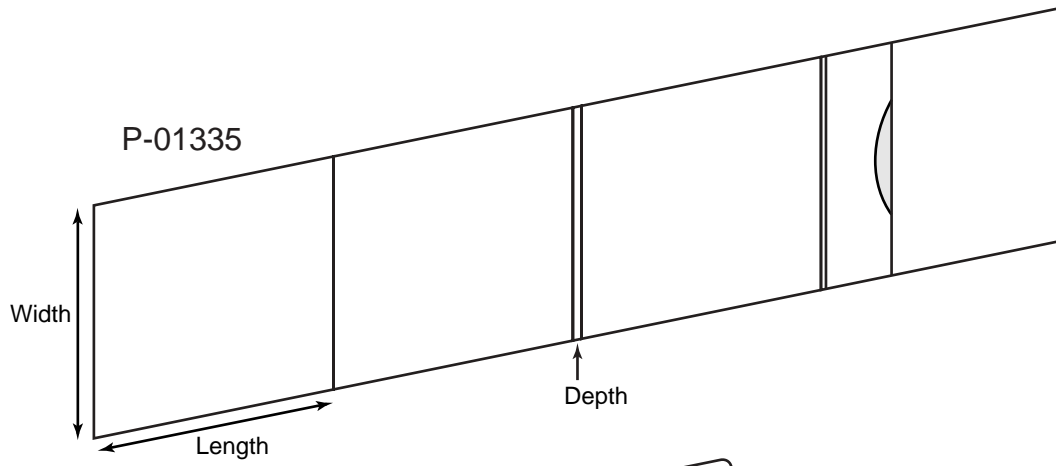


**Product Type: CD Holders**

**Die #      Length x Width x Depth      Description**

Die #	Length x Width x Depth	Description
<b>0212</b>	5-1/8 x 5 x 1/8	Single CD holder with business card slots
<b>0269</b>	5-1/2 x 5 x 1/4	Single CD holder with "T" business card slots
<b>P-01162</b>	5 x 10-9/16	Zip strip mailer holds 2 CD's in place side by side; B-035-JF
<b>0284</b>	5-1/2 x 5 x 1/8	Single CD holder with pocket and tuck tab
<b>P-01998</b>	5-3/4 x 5-13/16 x 1/4	Holds 2 CD's; 0221, B-783
<b>P-01071</b>	5-3/4 x 5-7/8 x 1/4	Holds 2 CD's; B-335-JF
<b>P-01746</b>	5-5/16 x 5-1/4 x 1/4	Holds 2 CD's; 0230, B-636
<b>P-01242</b>	6-1/4 x 6-1/4 x 3/16	Holds 2 CD's; 0414





**Product Type: CD Holders & Zip Strip Mailer's**

Die #      Length x Width x Depth      Description

<b>P-01335</b>	5-1/4 x 5 x 3/16	Single CD holder; B-118-JF
<b>P-01403</b>	5-3/16 x 5-3/16 x 1/4	CD mailer with zip strip; B-140-JF
<b>I-391-JF</b>	5-1/8 x 5 x 3/16	CD holder with reinforced middle panel
<b>P-01322</b>	5-3/16 x 5-3/16 x 1/4	CD mailer with zip strip; B-404